

PARTS LIST

CAUTION

- The parts identified by the \triangle symbol are important for the safety. Whenever replacing these parts, be sure to use specified ones to secure the safety.
- The parts not indicated in this Parts List and those which are filled with lines — in the Parts No. columns will not be supplied.
- P. W. Board Ass'y will not be supplied, but those which are filled with the Parts No. in the Parts No. columns will be supplied.

ABBREVIATIONS OF RESISTORS, CAPACITORS AND TOLERANCES

RESISTORS		CAPACITORS	
C R	Carbon Resistor	C CAP.	Ceramic Capacitor
F R	Fusible Resistor	E CAP.	Electrolytic Capacitor
P R	Plate Resistor	M CAP.	Mylar Capacitor
V R	Variable Resistor	HV CAP.	High Voltage Capacitor
HV R	High Voltage Resistor	MF CAP.	Metalized Film Capacitor
MF R	Metal Film Resistor	MM CAP.	Metalized Mylar Capacitor
MG R	Metal Glazed Resistor	MP CAP.	Metalized Polystyrol Capacitor
MP R	Metal Plate Resistor	PP CAP.	Polypropylene Capacitor
OM R	Metal Oxide Film Resistor	PS CAP.	Polystyrol Capacitor
CMF R	Coating Metal Film Resistor	TF CAP.	Thin Film Capacitor
UNF R	Non-Flammable Resistor	MPP CAP.	Metalized Polypropylene Capacitor
CH V R	Chip Variable Resistor	TAN. CAP.	Tantalum Capacitor
CH MG R	Chip Metal Glazed Resistor	CH C CAP.	Chip Ceramic Capacitor
COMP. R	Composition Resistor	BP E CAP.	Bi-Polar Electrolytic Capacitor
LPTC R	Linear Positive Temperature Coefficient Resistor	CH AL E CAP.	Chip Aluminum Electrolytic Capacitor
NETW R	Network Resistor	CH AL BP CAP.	Chip Aluminum Bi-Polar Capacitor
		CH TAN. E CAP.	Chip Tantalum Electrolytic Capacitor

TOLERANCES									
F	G	J	K	M	N	R	H	Z	P
±1%	±2%	±5%	±10%	±20%	±30%	+30%	+50%	+80%	+100%
						-10%	-10%	-20%	-0%

CONTENTS

- P.W. BOARDS 28
- EXPLODED VIEW PARTS LIST 28
- EXPLODED VIEW 29
- PRINTED WIRING BOARD PARTS LIST
 - MAIN PW BOARD ASS'Y 30
- PACKING / PACKING PARTS LIST 35
- REMOTE CONTROL UNIT PARTS LIST 35

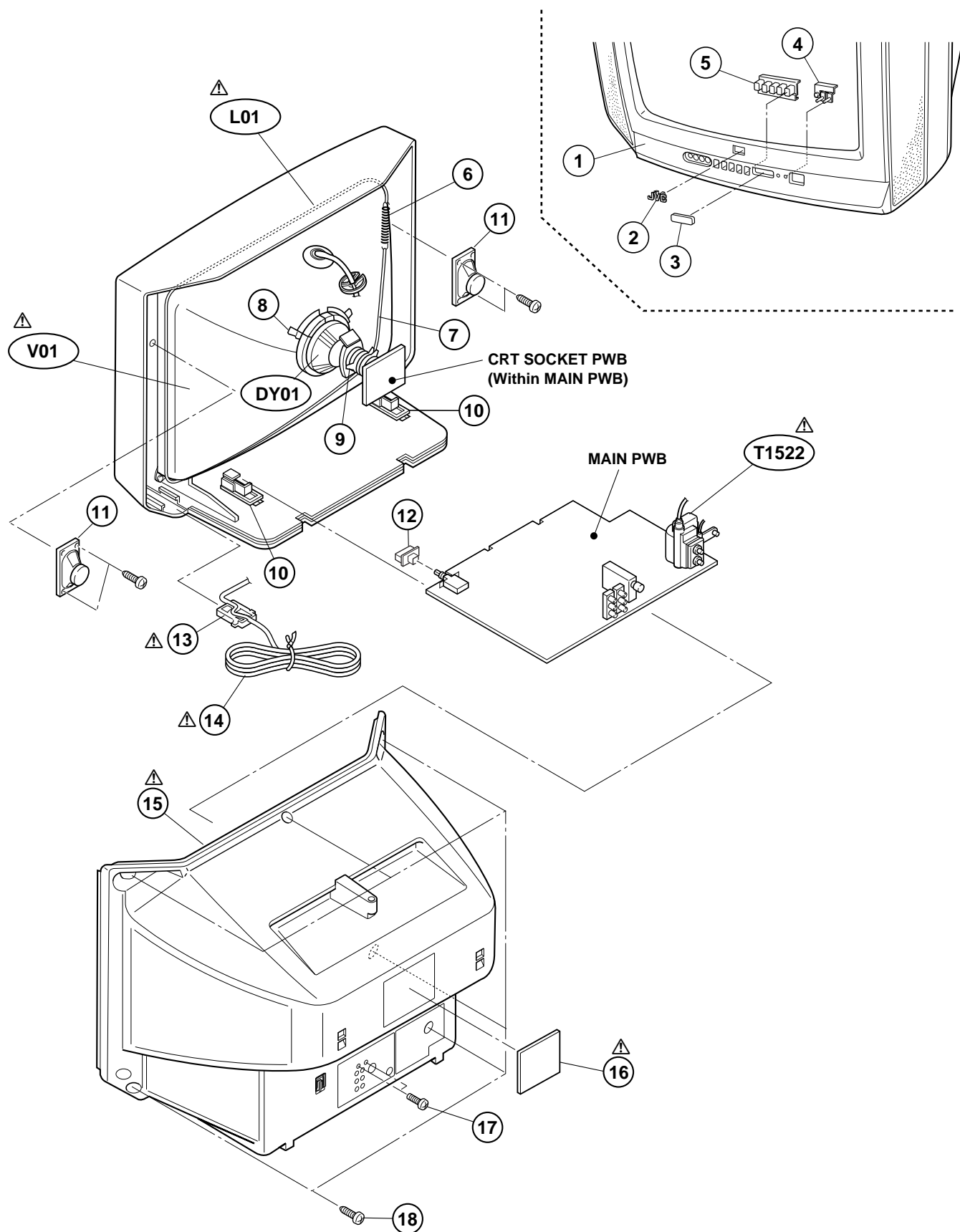
P.W. BOARDS

P.W.B. ASS'Y	PART NO.
MAIN P.W.B.	SGA-1048A-H2

EXPLODED VIEW PARTS LIST

△ Ref.No.	Part No.	Part Name	Description	Local
△ V01	A48KXR064X	PICTURE TUBE		
△ L01	QQW0061-001	DEG COIL		
	DY01	DEFLECTION YOKE		
△ T1522	QQH0030-002	H.V. TRANSF.		
1	LC10438-016A-HK	FRONT CABINET		
2	CM48006-007-C	JVC MARK		
3	LC30664-001B-H	E.E. WINDOW		
4	LC30665-001A-H	REMOCON LENS		
5	LC20318-003A-H	CONTROL KNOB		
6	A48457-4-S	SPRING		
7	WJY0008-002A	BRAIDED ASS'Y		
8	CE40764-00A	WEDGE ASSY	(x3)	
9	A75034-B	PC MAGNET		
10	CM36623-B01-H	CHASSIS RAIL	(x2)	
11	CEBSS12D-04KJ2	SPEAKER	(x2) SP01,SP02	
12	LC30663-003A-H	POWER KNOB		
△ 13	CM47005-A01-H	CORD CLAMP		
△ 14	QMPR010-200-E2	POWER CORD	or QMPR010-200-K2	
△ 15	LC10448-003A-HK	REAR COVER		
△ 16	GG20003-004A-H	RATING LABEL		
17	QYSBSF3010Z	TAPPING SCREW	(x2)	
18	QYSBSFG4016Z	TAPPING SCREW	(x6)	

EXPLODED VIEW



Symbol No.	Part No.	Part Name	Description	Local
CAPACITOR				
C1921	QCZ0325-102	C CAP.	1000pF 2kV	K
C1922	QCS31HJ-471Z	C CAP.	470pF 50V	J
C1924	QETN1VM-107Z	E CAP.	100μF 35V	M
C1925	QFLC1HJ-102Z	M CAP.	1000pF 50V	J
C1926	QFLC1HJ-182Z	M CAP.	1800pF 50V	J
C1928	QFV71HJ-104Z	TF CAP.	0.1μF 50V	J
C1931	QCZ0122-391	C CAP.	390pF 2kV	K
C1941	QCZ0122-471	C CAP.	470pF 2kV	K
C1942	QEZ0203-107	E CAP.	100μF 160V	M
C1943	QCB32HK-471Z	C CAP.	470pF 500V	K
C1944	QETN1EM-108Z	E CAP.	1000μF 25V	M
C1945	QETN1EM-227Z	E CAP.	220μF 25V	M
C1946	QETN1EM-107Z	E CAP.	100μF 25V	M
C1947	QETN1HM-106Z	E CAP.	10μF 50V	M
C1952	QETN1EM-108Z	E CAP.	1000μF 25V	M
C1953	QCZ0122-471	C CAP.	470pF 2kV	K
C1957	NDC21HJ-471X	CH C CAP.	470pF 50V	J
C1961	QETN1CM-107Z	E CAP.	100μF 16V	M
C1962	QETN1EM-476Z	E CAP.	47μF 25V	M
△ C1981	QCZ9079-471	C CAP.	470pF AC250V	K
△ C1982	QCZ9079-102	C CAP.	1000pF AC250V	K
△ C1983	QCZ9079-471	C CAP.	470pF AC250V	K
C1984	QETN1VM-337Z	E CAP.	330μF 35V	M

TRANSFORMER

T1111	CELT001-209J3	CW TRANSF.
T1521	CE42034-001	HOR DRIVE TRANSF.
△ T1921	CETS109-001JK	SW TRANSF.

COIL

L1001	QQL03BJ-150Z	COIL	15μH	J
L1003	QQL03BJ-4R7Z	COIL	4.7μH	J
L1101	QQLZ014-R22	COIL	0.22μH	
L1131	QQL03BJ-150Z	COIL	15μH	J
L1161	QQL03BJ-220Z	COIL	22μH	J
L1205	QQL03BJ-4R7Z	COIL	4.7μH	J
L1301	QQL03BJ-390Z	COIL	39μH	J
L1381	QQL03BJ-390Z	COIL	39μH	J
L1501	QQL03BJ-4R7Z	COIL	4.7μH	J
L1701	QQL03BJ-4R7Z	COIL	4.7μH	J
L1702	QQL03BJ-4R7Z	COIL	4.7μH	J
L1708	QQL03BJ-560Z	COIL	56μH	J
L1771	QQL03BJ-4R7Z	COIL	4.7μH	J
L1941	QQL26AK-820Z	CHOKE COIL	82μH	K
L1942	QQL26AK-820Z	CHOKE COIL	82μH	K

DIODE

D1001	MTZJ33A-T2	ZENER DIODE
D1201	1SS133-T2	SI DIODE
D1202	MTZJ7.5B-T2	ZENER DIODE
D1251	MTZJ9.1C-T2	ZENER DIODE
D1253	MTZJ5.6A-T2	ZENER DIODE
D1254	MTZJ5.6A-T2	ZENER DIODE
D1255	MTZJ5.6A-T2	ZENER DIODE
D1256	MTZJ5.6A-T2	ZENER DIODE
D1257	MTZJ9.1C-T2	ZENER DIODE
D1341	1SS133-T2	SI DIODE
D1401	1N4003-T2	SI DIODE
D1402	MTZJ75-T2	ZENER DIODE
D1510	1SS133-T2	SI DIODE
D1541	RH1S-T3	SI DIODE
D1542	RGP10J-5025-T3	SI DIODE
D1543	RGP10J-5025-T3	SI DIODE
D1544	RH1S-T3	SI DIODE
D1561	1SS81-T2	SI DIODE
D1562	MTZJ7.5S-T2	ZENER DIODE
D1581	RGP10J-5025-T3	SI DIODE
D1582	MTZJ9.1B-T2	ZENER DIODE
D1631	1SS133-T2	SI DIODE
D1632	1SS133-T2	SI DIODE
D1633	1SS133-T2	SI DIODE

Symbol No.	Part No.	Part Name	Description	Local
DIODE				
D1634	1SS133-T2	SI DIODE		
D1656	MTZJ9.1C-T2	ZENER DIODE		
D1657	MTZJ9.1C-T2	ZENER DIODE		
D1691	MTZJ9.1C-T2	ZENER DIODE		
D1692	MTZJ9.1C-T2	ZENER DIODE		
D1701	1SS133-T2	SI DIODE		
D1702	1SS133-T2	SI DIODE		
D1704	1SS133-T2	SI DIODE		
D1705	MTZJ5.6A-T2	ZENER DIODE		
D1706	SLR-342VR-T16	LED (RED)		
D1707	SLR-342DU-T16	LED (ORG)		
D1771	MTZJ6.2B-T2	ZENER DIODE		
D1772	MTZJ6.2B-T2	ZENER DIODE		
D1801	MTZJ15B-T2	ZENER DIODE		
D1802	MTZJ15B-T2	ZENER DIODE		
D1803	MTZJ15B-T2	ZENER DIODE		
D1805	MTZJ15B-T2	ZENER DIODE		
D1901	D2SBA60	BRIDGE DIODE		
D1903	RGP10J-5025-T3	SI DIODE		
D1905	MTZJ6.8A-T2	ZENER DIODE		
D1921	RGP10J-5025-T3	SI DIODE		
D1922	RGP10J-5025-T3	SI DIODE		
D1923	MTZJ15A-T2	ZENER DIODE		
D1924	1SS133-T2	SI DIODE		
D1927	1SS133-T2	SI DIODE		
D1928	1SS133-T2	SI DIODE		
D1929	MTZJ15A-T2	ZENER DIODE		
D1941	RU3AM-LFC4	SI DIODE		
D1942	RGP10J-5025-T3	SI DIODE		
D1943	1SS133-T2	SI DIODE		
D1945	MTZJ5.6B-T2	ZENER DIODE		
D1948	RGP10J-5025-T3	SI DIODE		
D1961	MTZJ7.5S-T2	ZENER DIODE		
D1962	1SS133-T2	SI DIODE		

TRANSISTOR

Q1101	2SC5083/L-P/-T	SI TRANSISTOR
Q1111	DTC124EKA-X	DIGI TRANSISTOR
Q1131	2SC2412K/QR/-X	CHIP TRANSISTOR
Q1161	2SC2412K/QR/-X	CHIP TRANSISTOR
Q1201	2SC2412K/QR/-X	CHIP TRANSISTOR
Q1202	2SC2412K/QR/-X	CHIP TRANSISTOR
Q1251	2SC1740S/QR/-T	SI TRANSISTOR
Q1301	2SC2412K/QR/-X	CHIP TRANSISTOR
Q1302	2SC2412K/QR/-X	CHIP TRANSISTOR
Q1341	2SC2412K/QR/-X	CHIP TRANSISTOR
Q1342	2SC2412K/QR/-X	CHIP TRANSISTOR
Q1351	2SC4544-LB	POWER TRANSISTOR
Q1352	2SC4544-LB	POWER TRANSISTOR
Q1353	2SC4544-LB	POWER TRANSISTOR
Q1401	2SC2412K/QR/-X	CHIP TRANSISTOR
Q1511	2SC2785/JH/-T	SI TRANSISTOR
Q1521	BSN304-T	TRANSISTOR
Q1522	2SD1878-YD	PW TRANSISTOR
Q1601	2SC2412K/QR/-X	CHIP TRANSISTOR
Q1603	DTC323TK-X	DIGI TRANSISTOR
Q1604	DTC323TK-X	DIGI TRANSISTOR
Q1605	DTC323TK-X	DIGI TRANSISTOR
Q1631	2SA1037AK/QR/-X	SI TRANSISTOR
Q1651	DTC323TK-X	DIGI TRANSISTOR
Q1652	DTC323TK-X	DIGI TRANSISTOR
Q1653	DTC323TK-X	DIGI TRANSISTOR
Q1654	DTC323TK-X	DIGI TRANSISTOR
Q1701	2SC2412K/QR/-X	CHIP TRANSISTOR
Q1702	2SC2412K/QR/-X	CHIP TRANSISTOR
Q1703	DTC124EKA-X	DIGI TRANSISTOR
Q1705	DTC124EKA-X	DIGI TRANSISTOR
Q1761	2SC2412K/QR/-X	CHIP TRANSISTOR
Q1921	2SA933AS/QR/-T	SI TRANSISTOR
Q1941	2SA966/OY/-T	SI TRANSISTOR
Q1942	2SC2412K/QR/-X	CHIP TRANSISTOR
Q1943	2SC2412K/QR/-X	CHIP TRANSISTOR
Q1944	2SC2412K/QR/-X	CHIP TRANSISTOR
Q1961	2SA949/Y/Z1-T	SI TRANSISTOR

H. OUT

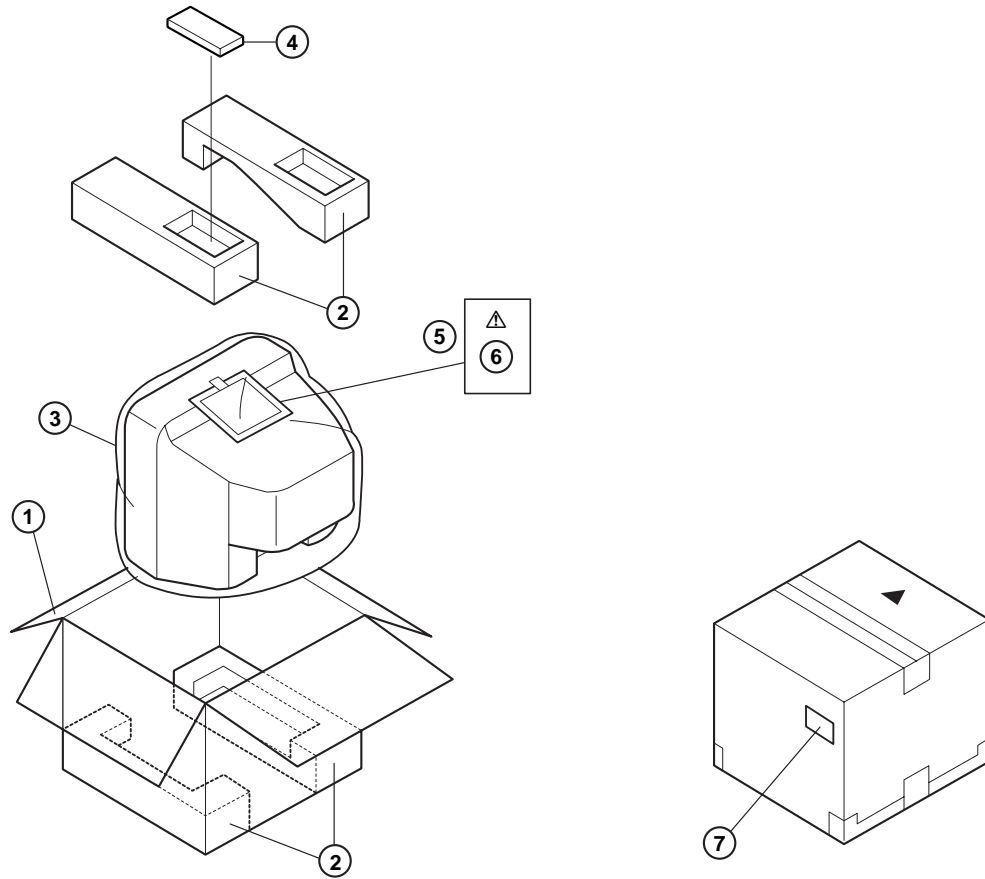
Symbol No.	Part No.	Part Name	Description	Local
IC				
IC1001	AN78L05-T	IC	(5V REG)	
IC1101	M523425P	IC		
IC1201	TB1230AN	IC		
IC1251	BA7612N	IC		
IC1291	AN78N05	IC	(5V REG)	
IC1292	AN78L09-T	IC	(9V REG)	
IC1293	KIA78L05BP-T	IC	(5V REG)	
IC1401	LA7840	IC		
IC1541	AN7809F	IC	(9V REG)	
IC1601	LA4485	IC		
IC1651	UPC1851BCU	IC		
IC1701	M37272MA-0545P	IC	(MICROCOMPUTER)	
IC1702	L78LR05E-MA	IC	(5V REG/RESET)	
IC1703	GP1U281Q	IC		
IC1704	AT24C02-21F3PX	IC	(MEMORY)	(Service)
IC1921	STR-F6654	SW REG IC		
IC1941	SE135N	IC		

OTHERS

	LC30114-001C-H	LED HOLDER		
CF1001	FTP47.25MF	CERAMIC TRAP		
CF1131	QAX0339-001	CERAMIC TRAP		
CF1161	SF5H4.5MCB	CERAMIC FILTER		
△ CP1941	ICP-N75-Y	IC PROTECTOR		
△ CP1942	ICP-N50-Y	IC PROTECTOR		
EF1301	CE42142-222Z	EMI FILTER		
△ F1901	QMF51E2-3R15J4	FUSE	3.15A	
FC1901	CEMG002-001Z	FUSE CLIP		
FC1902	CEMG002-001Z	FUSE CLIP		
△ FR1542	QRZ9023-1R0	F R	1.0Ω	2W J
△ FR1561	QRZ9017-4R7	F R	4.7Ω	1/4W J
△ FR1585	QRZ9021-1R5	F R	1.5Ω	1W J
FR1586	QRE121J-332Y	C R	3.3kΩ	1/2W J
△ FR1621	QRZ9023-1R5	F R	1.5Ω	2W J
△ FR1720	QRZ9017-270	F R	27Ω	1/4W J
J1001	QNN0349-001	PIN JACK		
J1002	QNN0349-001	PIN JACK		
J1003	CEMN065-001	PIN JACK		
J1004	CEMN065-002	PIN JACK		
J1005	CEMN072-003	PIN JACK		
J1006	QNS0155-001	3.5 JACK		
K1401	QQR0621-001Z	BEADS CORE		
K1921	QQR0621-001Z	BEADS CORE		
K1923	QQR0582-001Z	BEADS CORE		
K1941	QQR0621-001Z	BEADS CORE		
K1942	QQR0582-001Z	BEADS CORE		
K1943	QQR0621-001Z	BEADS CORE		
△ LF1901	QQR0673-002	LINE FILTER		
△ PC1921	TLP621(GR)-LF2	IC(PHOTO COUPLER)		
S1701	QSW0619-003Z	PUSH SWITCH		VOL+
S1702	QSW0619-003Z	PUSH SWITCH		VOL-
S1703	QSW0619-003Z	PUSH SWITCH		CH+
S1704	QSW0619-003Z	PUSH SWITCH		CH-
S1705	QSW0619-003Z	PUSH SWITCH		MENU
△ S1901	QSP4K21-C01	PUSH SWITCH		POWER
SF1101	QAX0324-002	SAW FILTER		
△ SK1351	CE42535-001J1	CRT SOCKET		
TH1901	QADO101-9R0	P THERMISTOR		
TU1001	QAU0190-001	TUNER		
△ VA1901	ERZV10V621CS	VARIATOR		
X1301	QAX0305-001Z	X TAL		
X1701	QAX0468-001Z	X TAL		

Symbol No.	Part No.	Part Name	Description	Local
------------	----------	-----------	-------------	-------

PACKING



PACKING PARTS LIST

△ Ref.No.	Part No.	Part Name	Description	Local
1	GG10057-004A	PACKING CASE		
2	LC10469-005A	CUSHION ASSY	4 pcs. in 1 set	
3	CP30967-003-H	POLY BAG		
4	RM-C373-1H	REMOCON UNIT		
5	CP30966-001-H	POLY BAG		
△ 6	LCT0808-001A-H	INST BOOK		
7	CP30902-041(R)	POS/SERIAL LABEL		

REMOTE CONTROL UNIT PARTS LIST (RM-C373-1H)

△ Ref.No.	Part No.	Part Name	Description	Local
	3139 224 20073	BATTERY COVER		